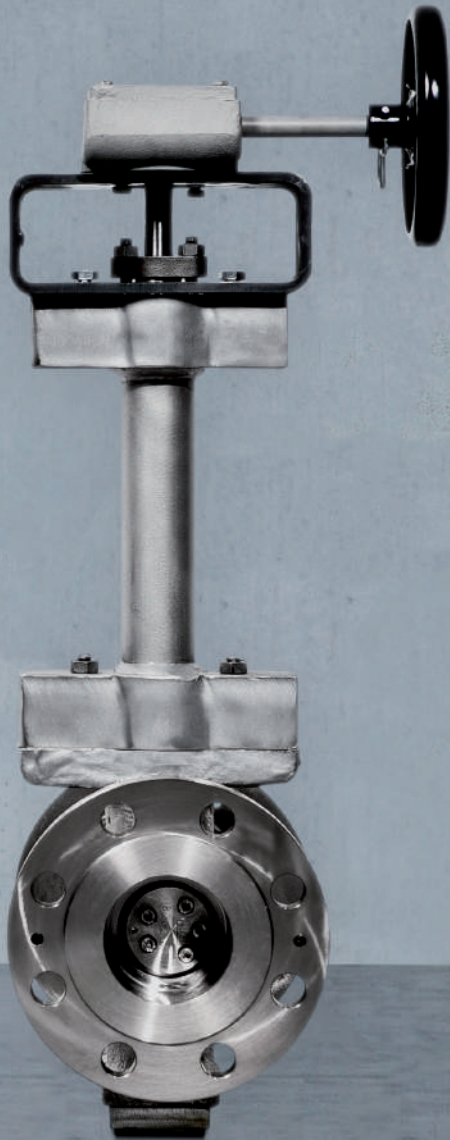


ZWICK
ARMATUREN GMBH 



TRI-CON

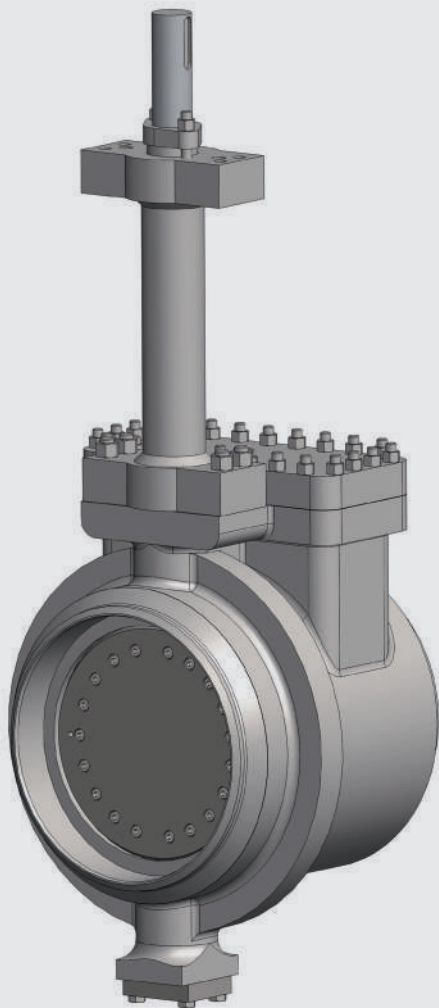
**SERIES FOR
LOW TEMP
APPLICATIONS**

HIGH STANDARD VALVES FOR NON-STANDARD CONDITIONS.

TRI-CON CRYOGENIC

- 2" - 72"
- ANSI 1500 / PN 250
- Any CF grades (CF3, CF3M, CF8, CF8M, etc.)
- -215°C
- metal seated
- BS 6364 up to Zero Leakage
- Fire Safe
- NACE
- extended bonnet
- non-cold box & cold box design
- optional oil & grease free

• LNG • GTL • NG



TRI-CON LOW TEMPERATURE

- 2" - 72"
- ANSI 1500 / PN 250
- Low Carbon Steel
- -50°C
- metal seated
- Zero Leakage
- Gas tight
- Fire Safe
- Bi-directional shut-off
- NACE



TRI-CON SIDE ENTRY

- 3" - 36"
- ANSI 150/300 / PN 10 - 40
- Any CF grades (CF3, CF3M, CF8, CF8M, etc.)
- -215°C
- metal seated
- BS 6364 up to Zero Leakage
- Fire Safe
- NACE
- extended bonnet
- non-cold box & cold box design
- Side Entry
- optional oil & grease free

ZWICK
ARMATUREN GMBH

Egerstr. 1 & 25
D-58256 Ennepetal
TEL +49 (0) 23 33 / 98 56 5
FAX +49 (0) 23 33 / 98 56 6
MAIL info@zwick-gmbh.de

WWW.ZWICK-VALVES.COM