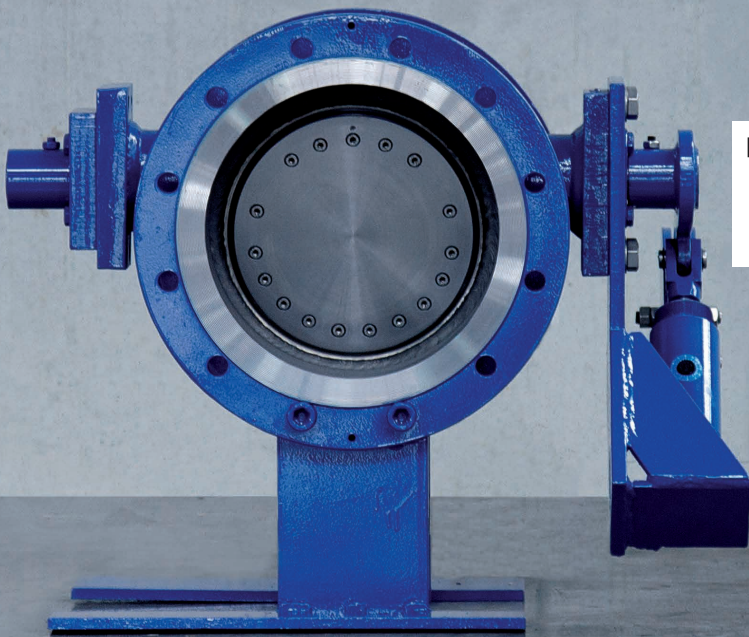


**ZWICK**  
ARMATUREN GMBH 



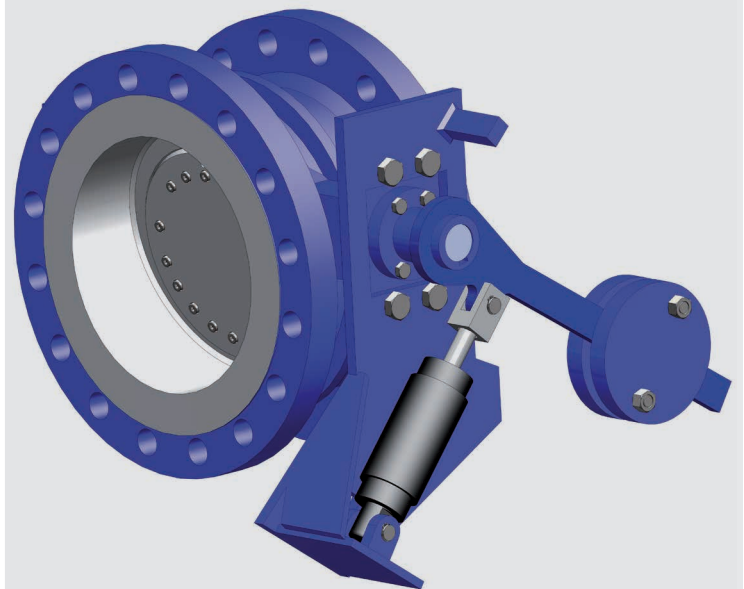
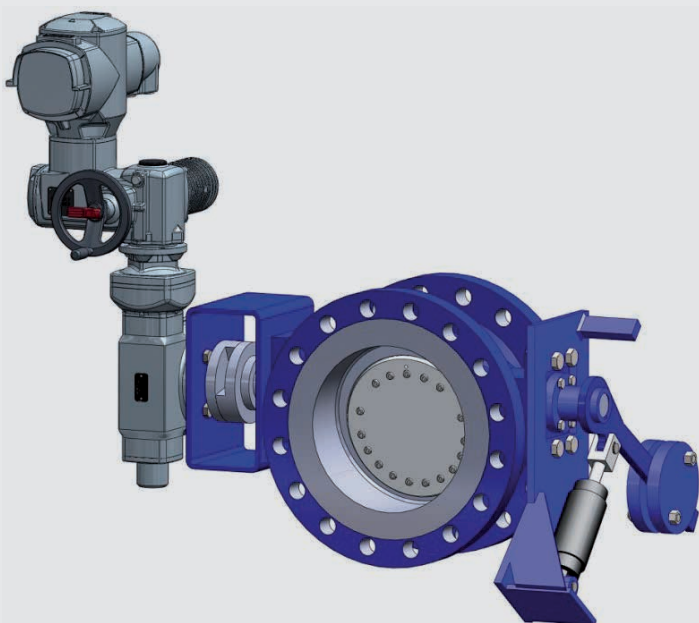
# TRI-CHECK

**HEAVY DUTY  
METAL SEATED  
CHECK VALVE**  
Hydraulic dampened

# HIGH STANDARD VALVES FOR NON-STANDARD CONDITIONS.

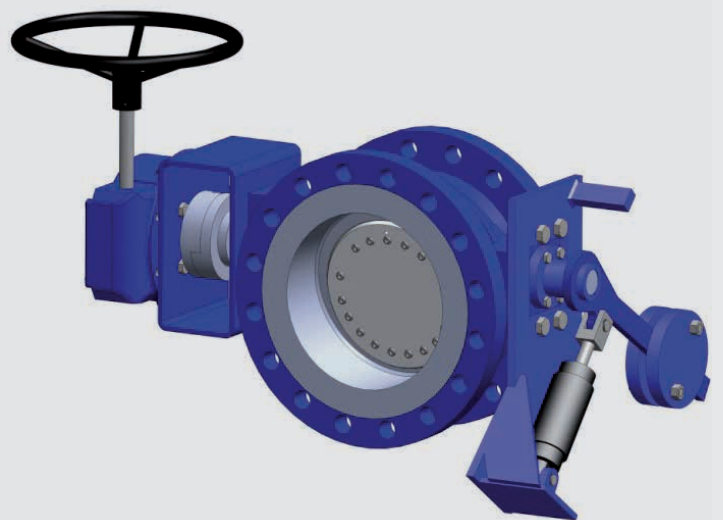
## TRI-CHECK

- DN 50 - 1200 / 2" - 48"
- PN 6 - 160 / ANSI 150 - 900
- Zero Leakage
- Metal seated
- Tripple offset design
- Incl. damper & counterweight
- Double flange or buttweld



## Options

- manual or automated combined
- check valve with shut off function



**ZWICK**  
ARMATUREN GMBH

Egerstr. 1 & 25

D-58256 Ennepetal

TEL +49 (0) 23 33 / 98 56 5

FAX +49 (0) 23 33 / 98 56 6

MAIL [info@zwick-gmbh.de](mailto:info@zwick-gmbh.de)

[WWW.ZWICK-VALVES.COM](http://WWW.ZWICK-VALVES.COM)